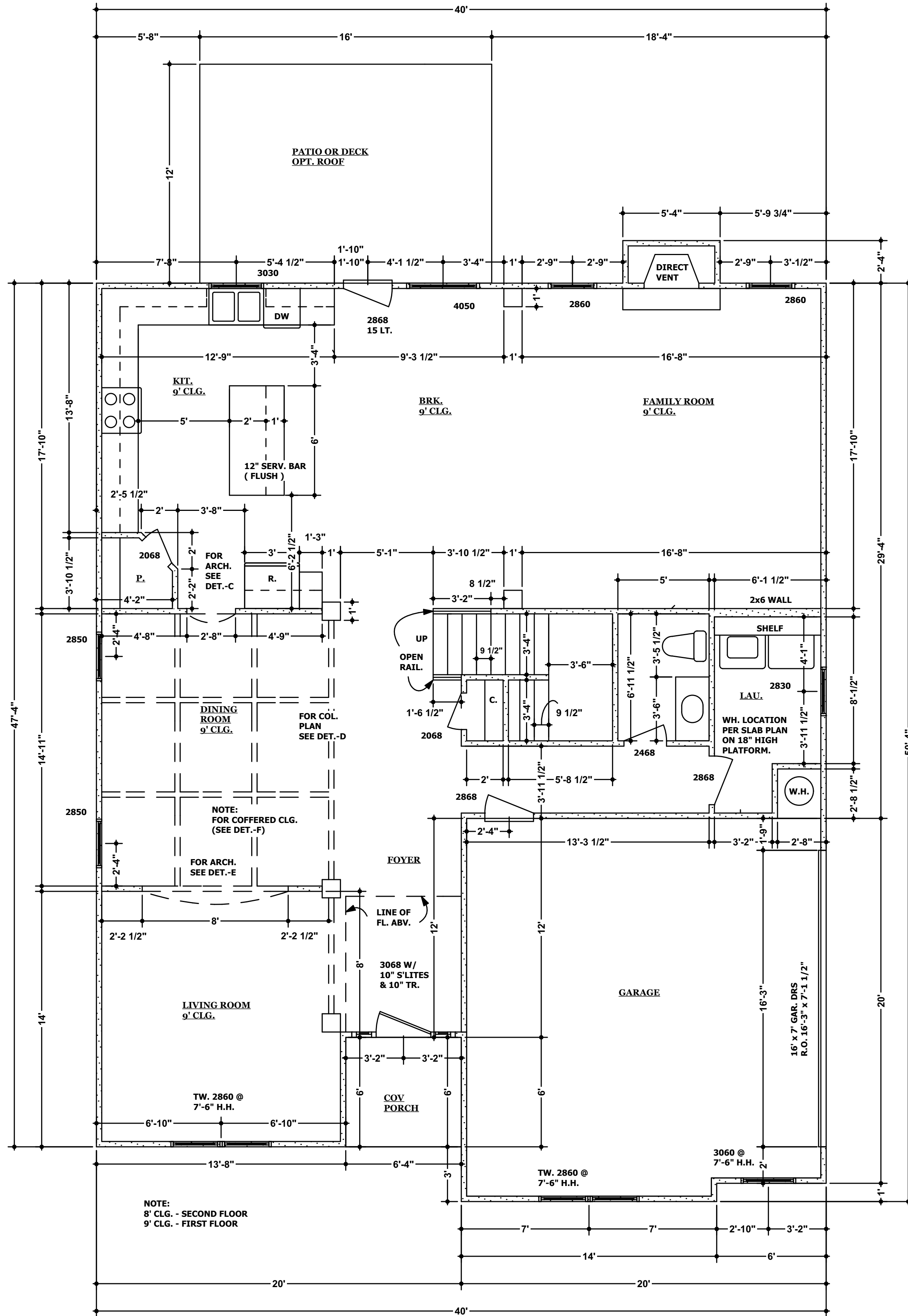


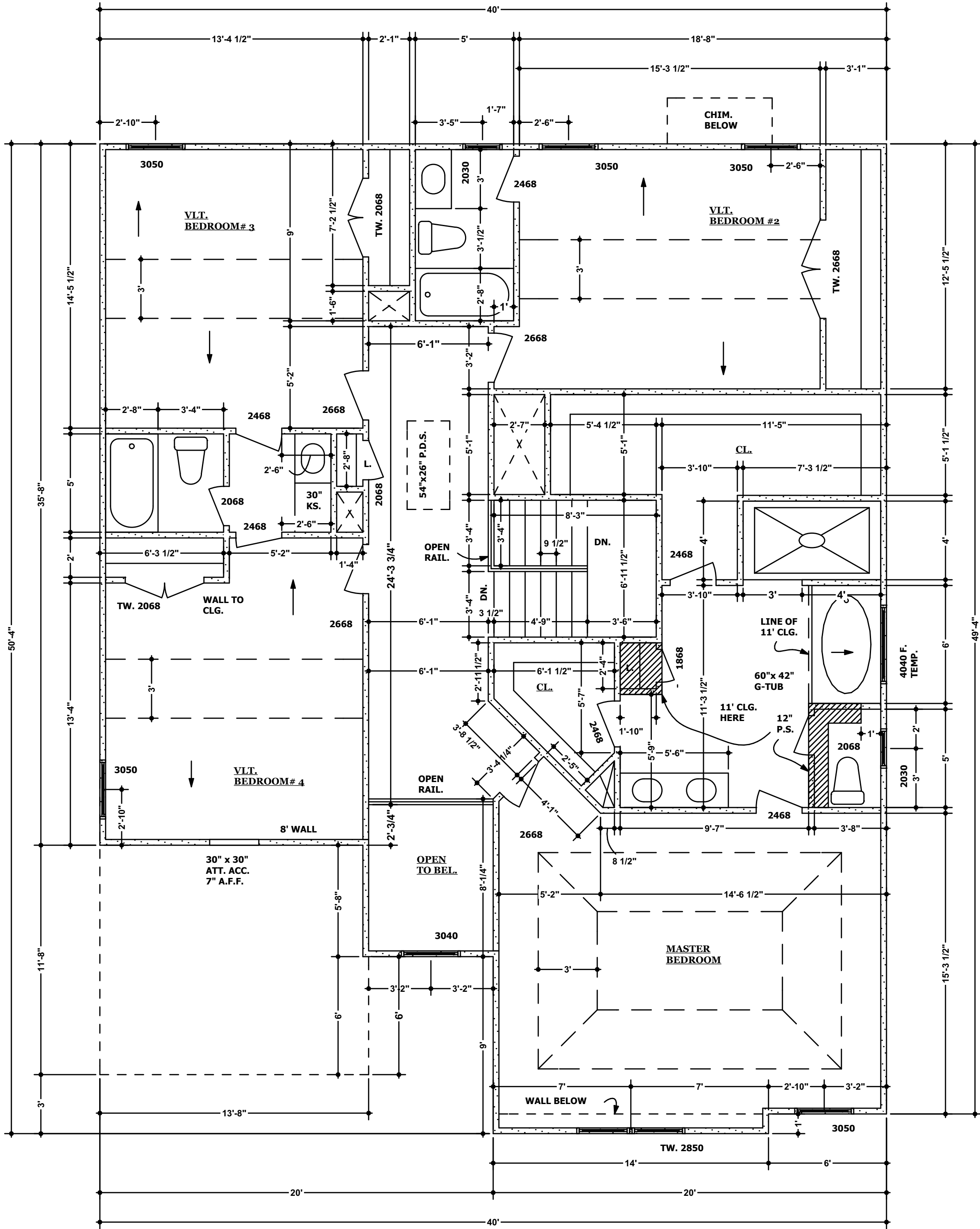
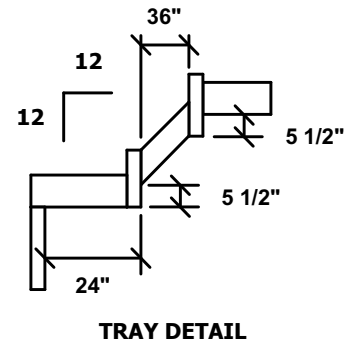
SLAB PLAN
 1/4" = 1'-0"



FIRST FLOOR	1,499 S.F.
SECOND FLOOR	1,683 S.F.
TOTAL HEATED AREA	3,182 S.F.
OPEN AREA	51 S.F.

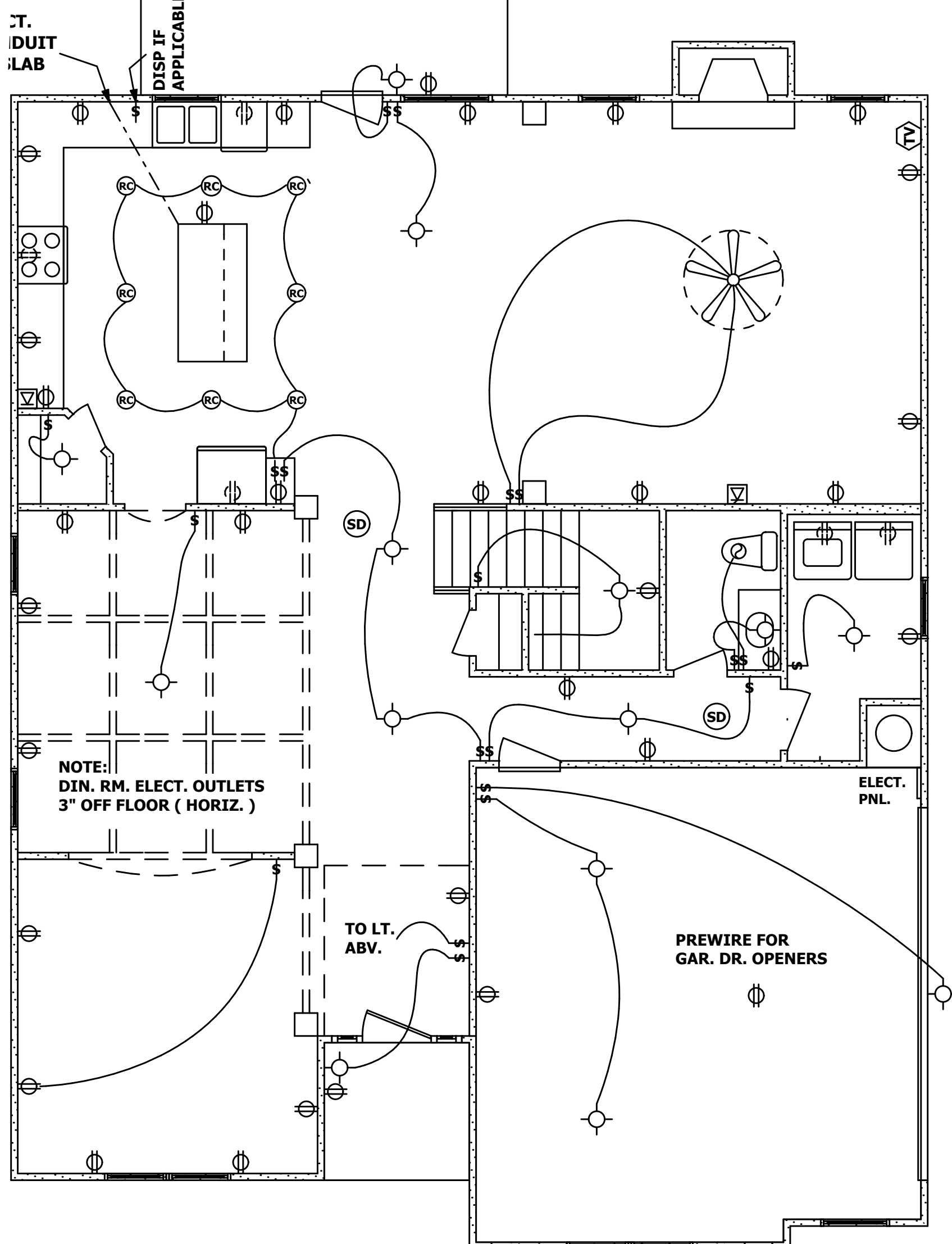
FIRST FLOOR PLAN
 1/4" = 1'-0"

NOTE:
LINE ALL MECH.
CHASES W/ PLYWOOD

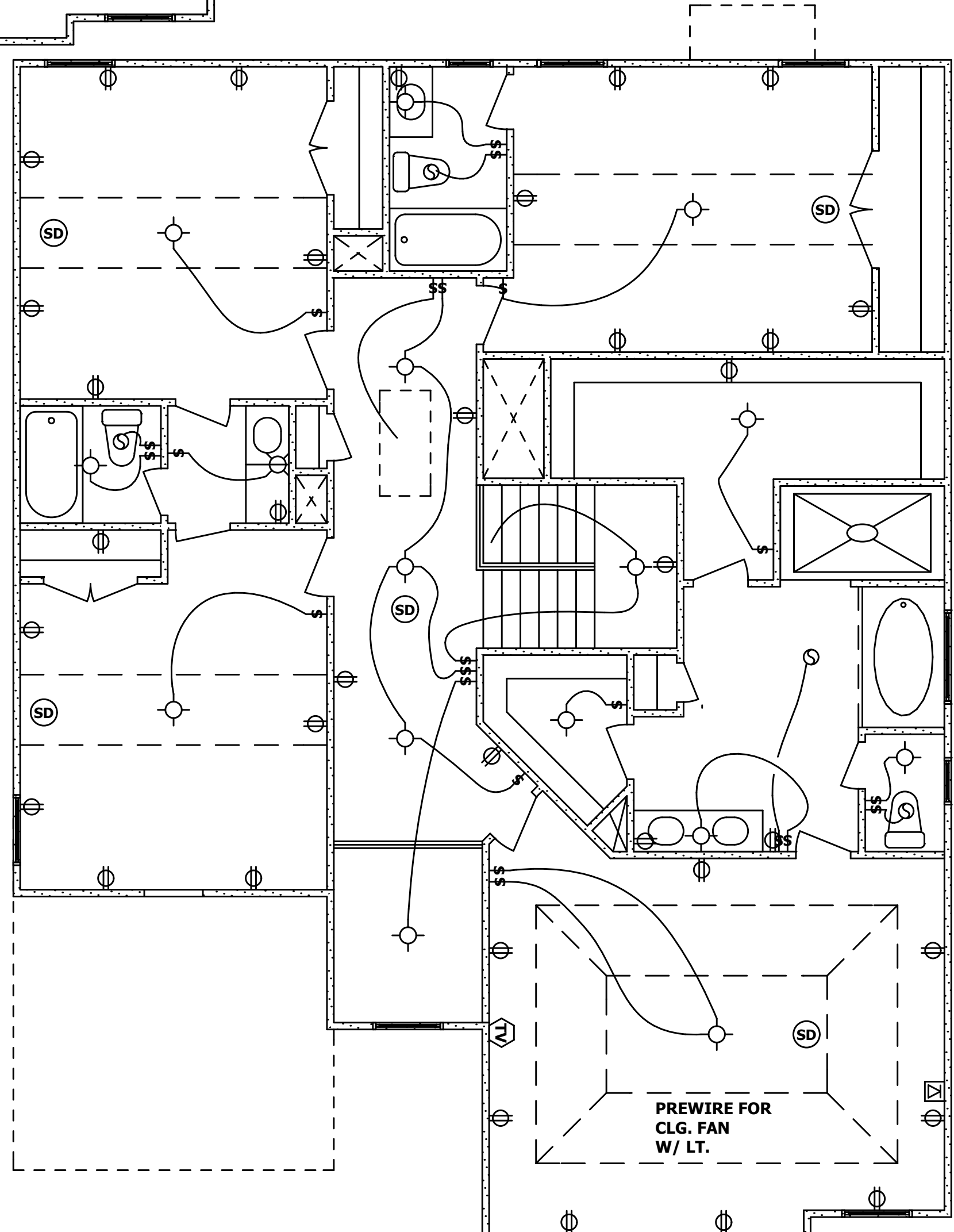


NOTE:
8' CLG. - SECOND FLOOR
9' CLG. - FIRST FLOOR

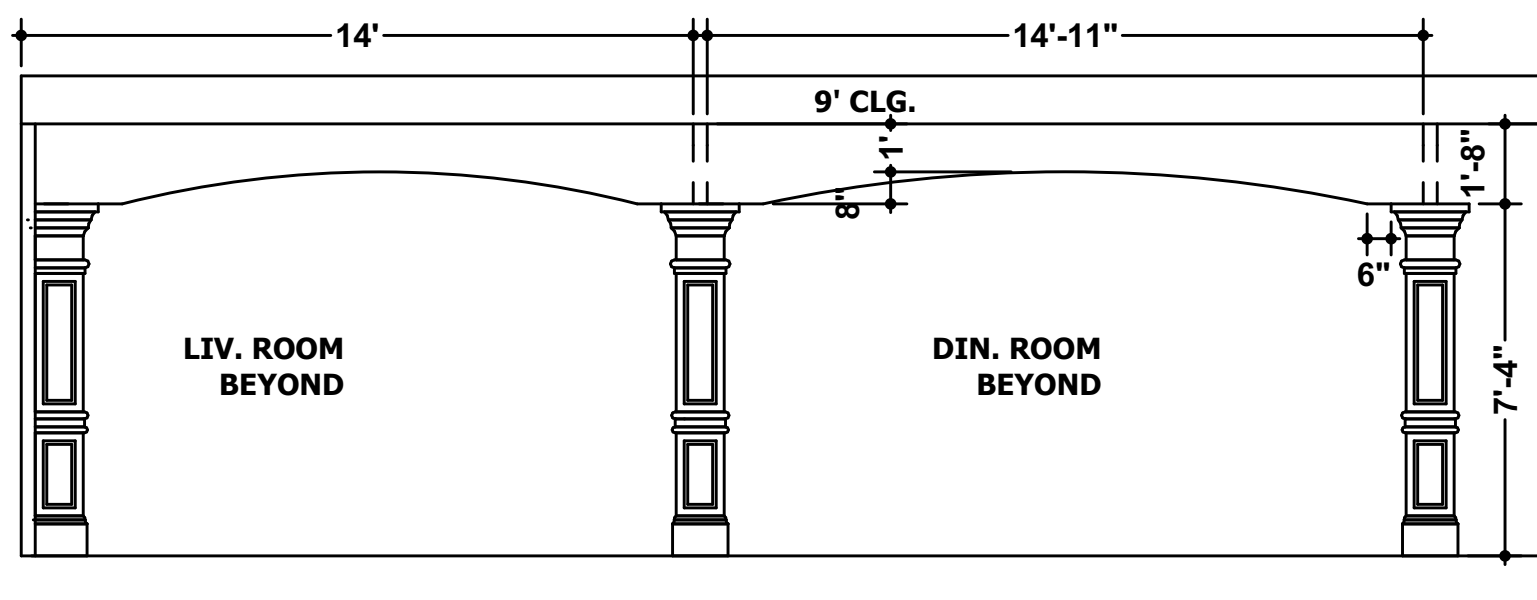
SECOND FLOOR PLAN
1/4" = 1'-0"



FIRST FLOOR ELECT. PLAN
N.T.S.



SECOND FLOOR ELECT. PLAN
N.T.S.



DET.-D
DINING ROOM / LIVING ROOM
COL. PLAN
VIED FROM HALLWAY

